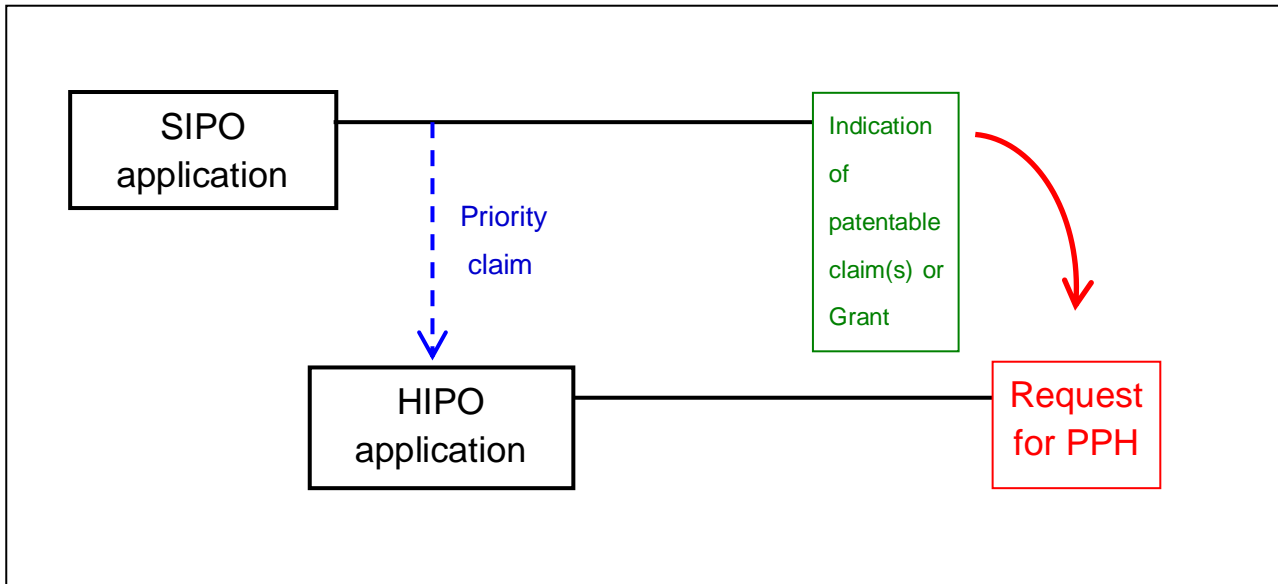
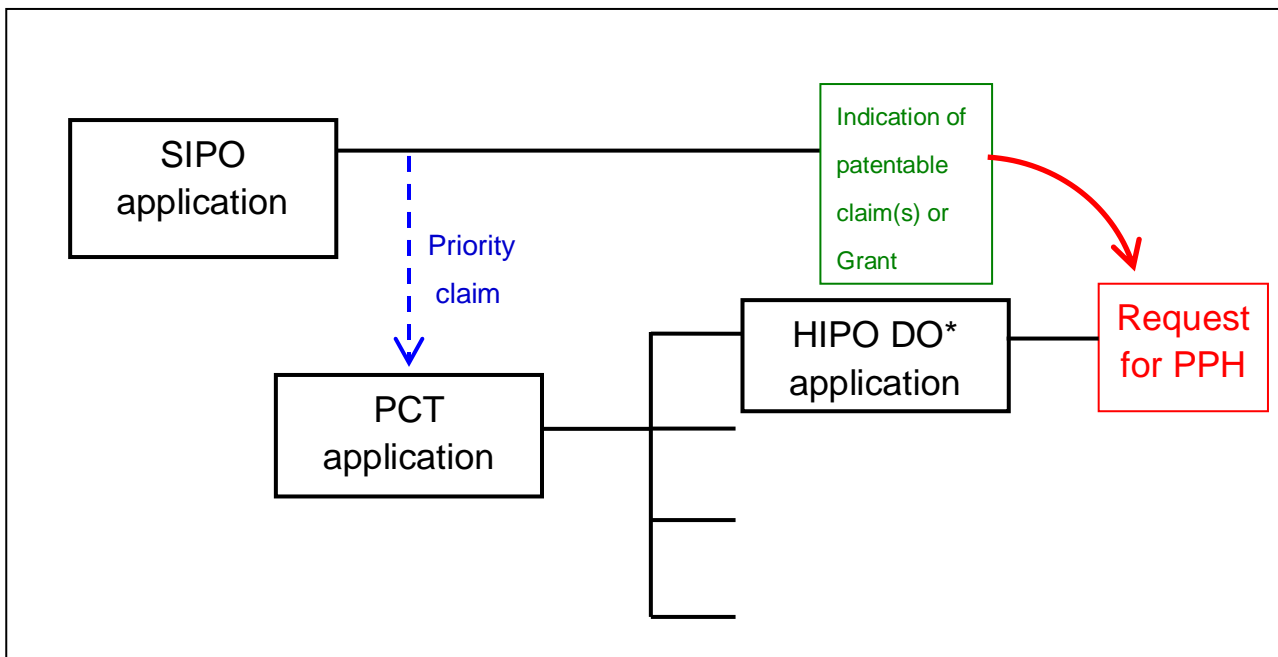


**Examples of HIPO application eligible for the PPH**

**Figure A: A case meeting requirement (a)**  
- Paris Route

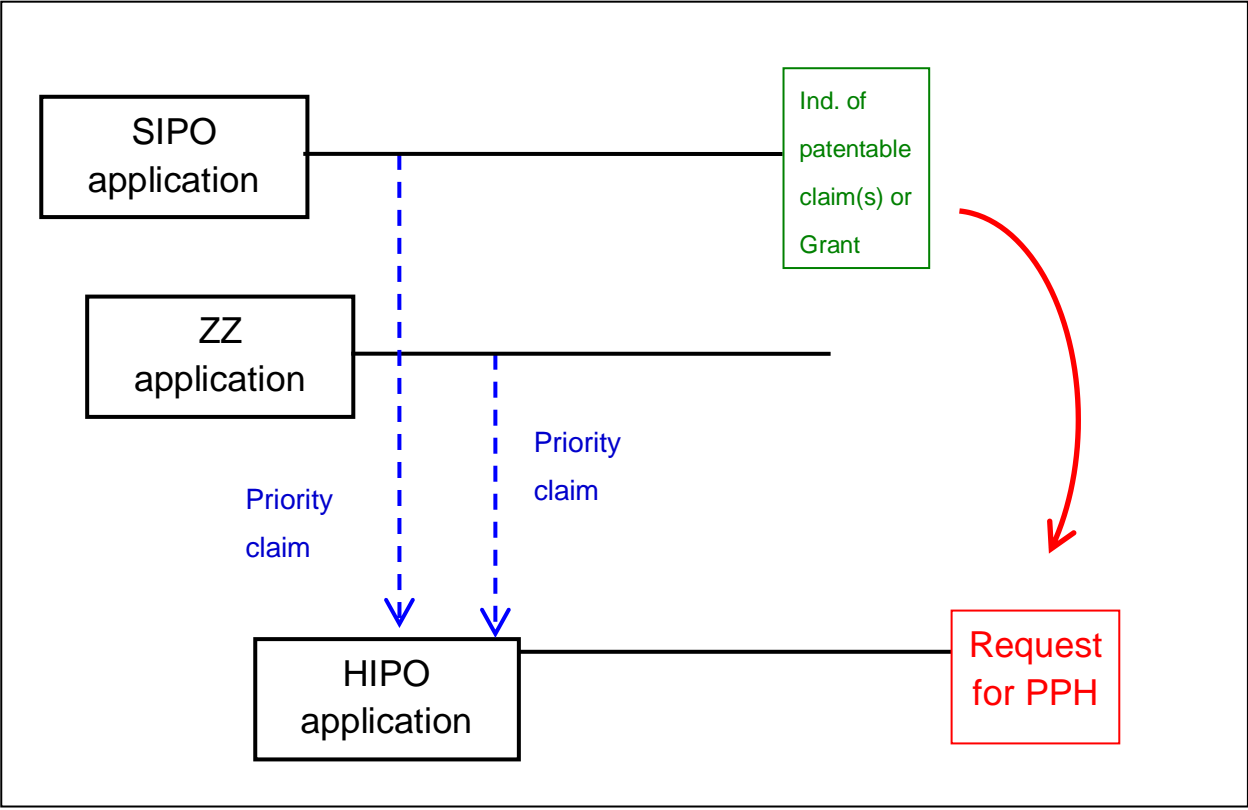


**Figure B: A case meeting requirement (a)**  
- Paris Route and PCT Route

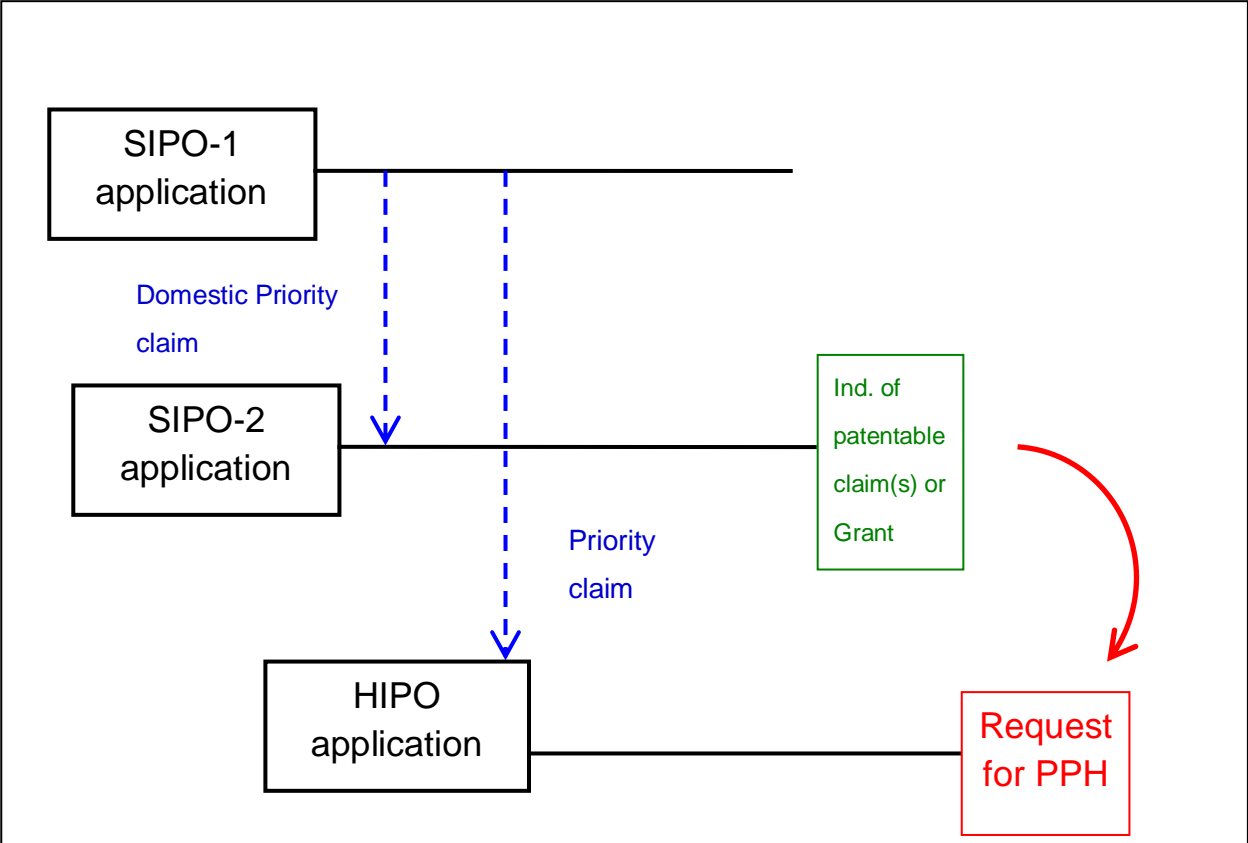


\*DO – Designated Office

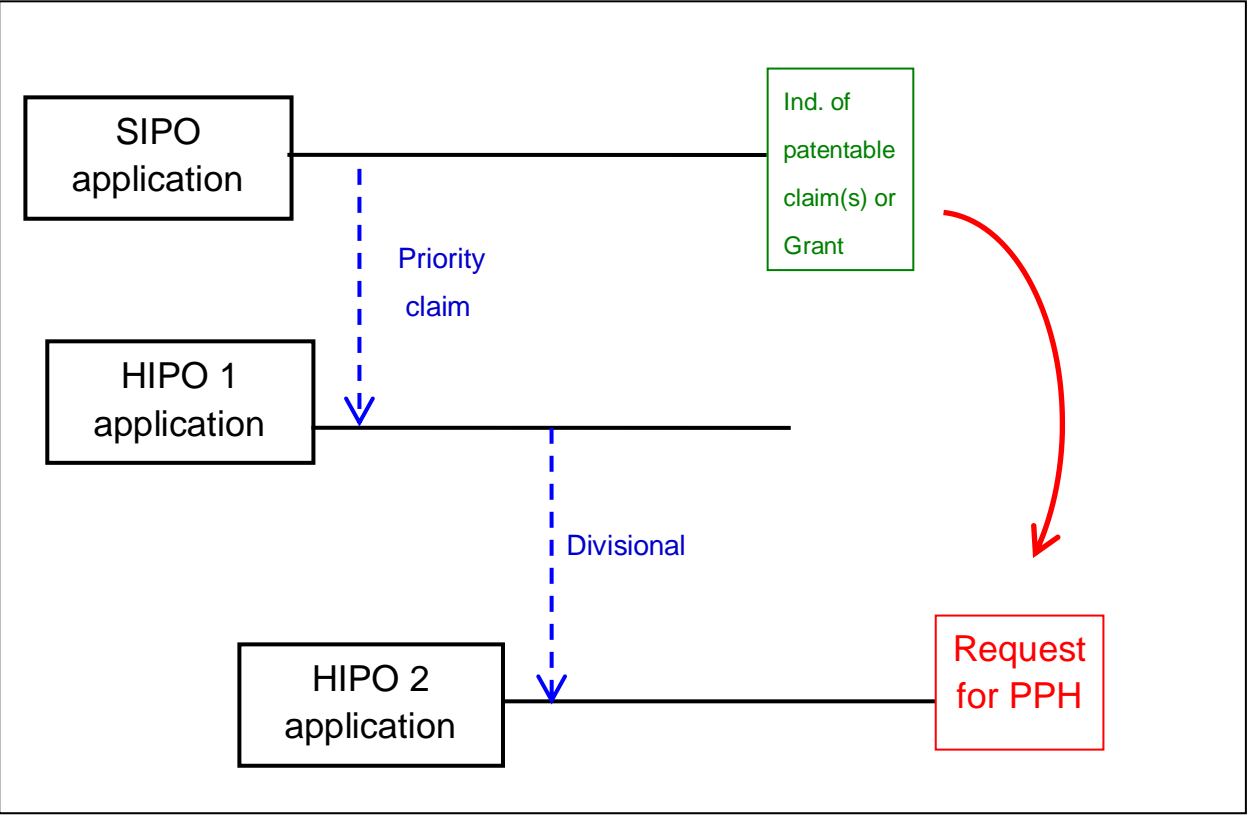
**Figure C: A case meeting requirement (a)**  
 - Paris Route and Complex Priority (ZZ: any other priority application)



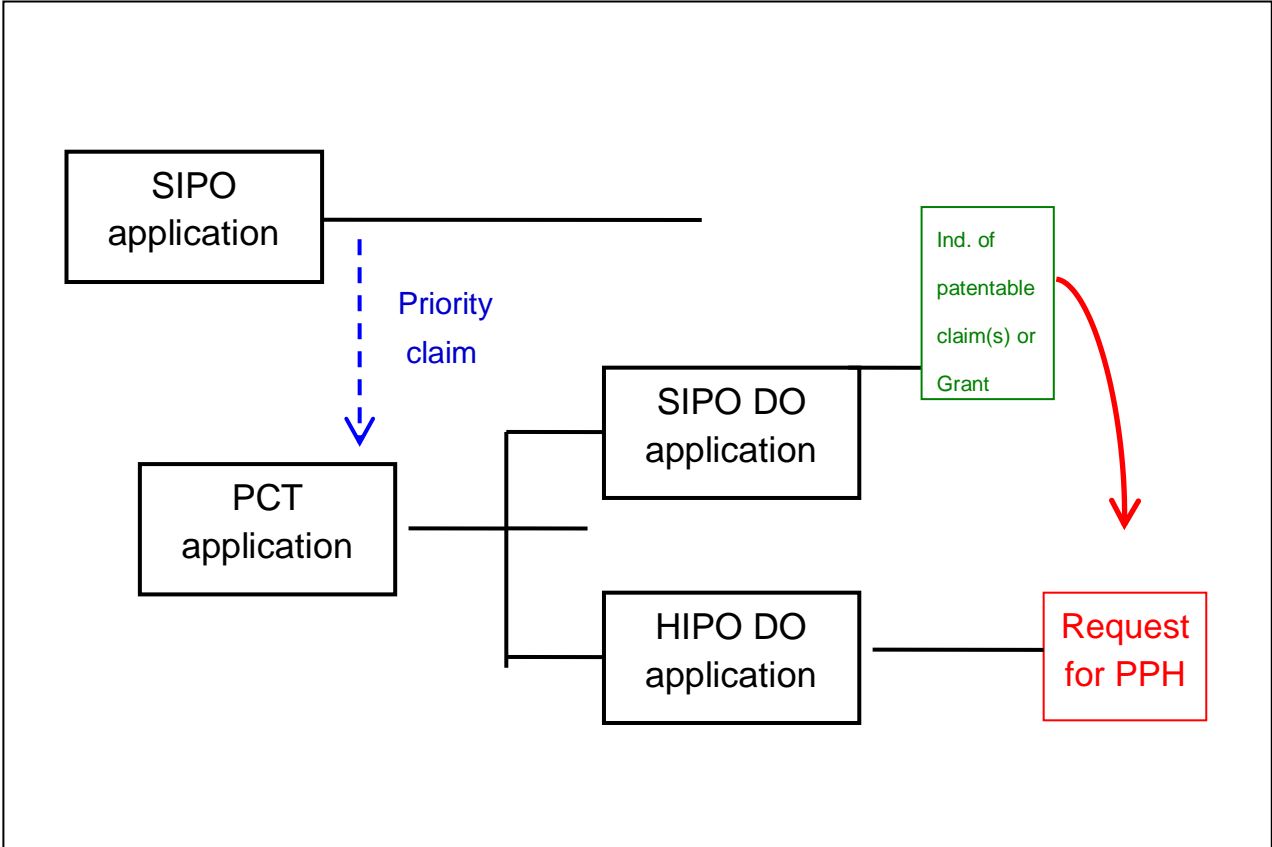
**Figure D: A case meeting requirement (a)**  
 - Paris Route and Domestic Priority



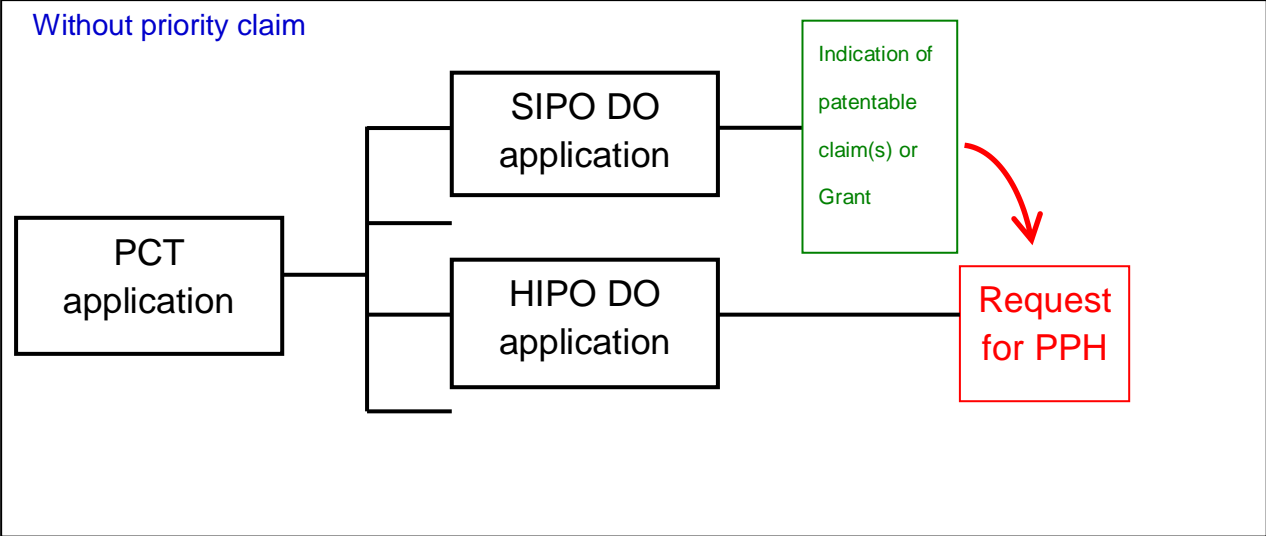
**Figure E: A case meeting requirement (a)**  
 - Paris Route and Divisional Application



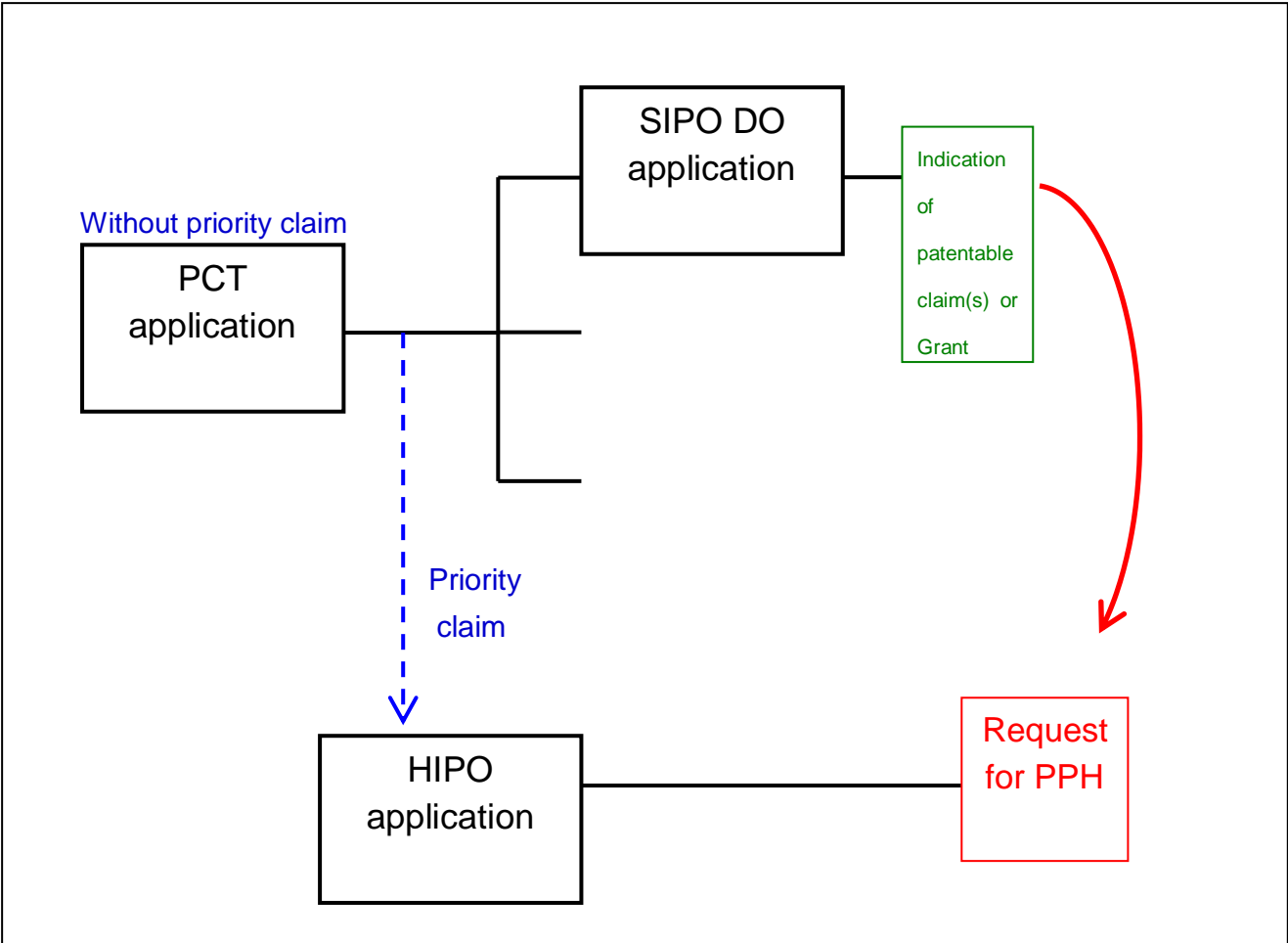
**Figure F: A case meeting requirement (a)**  
 - Paris Route and PCT Route



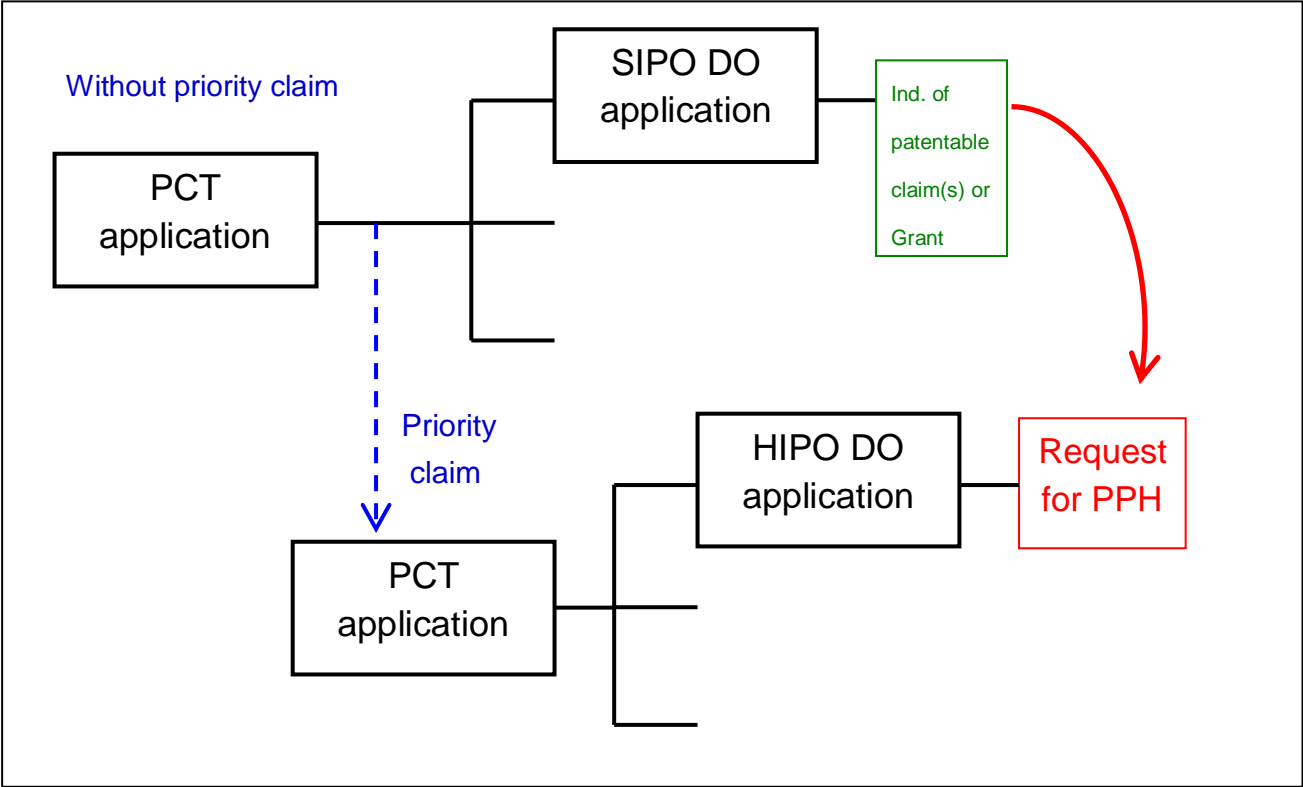
**Figure G: A case meeting requirement (a)**  
- Direct PCT Route



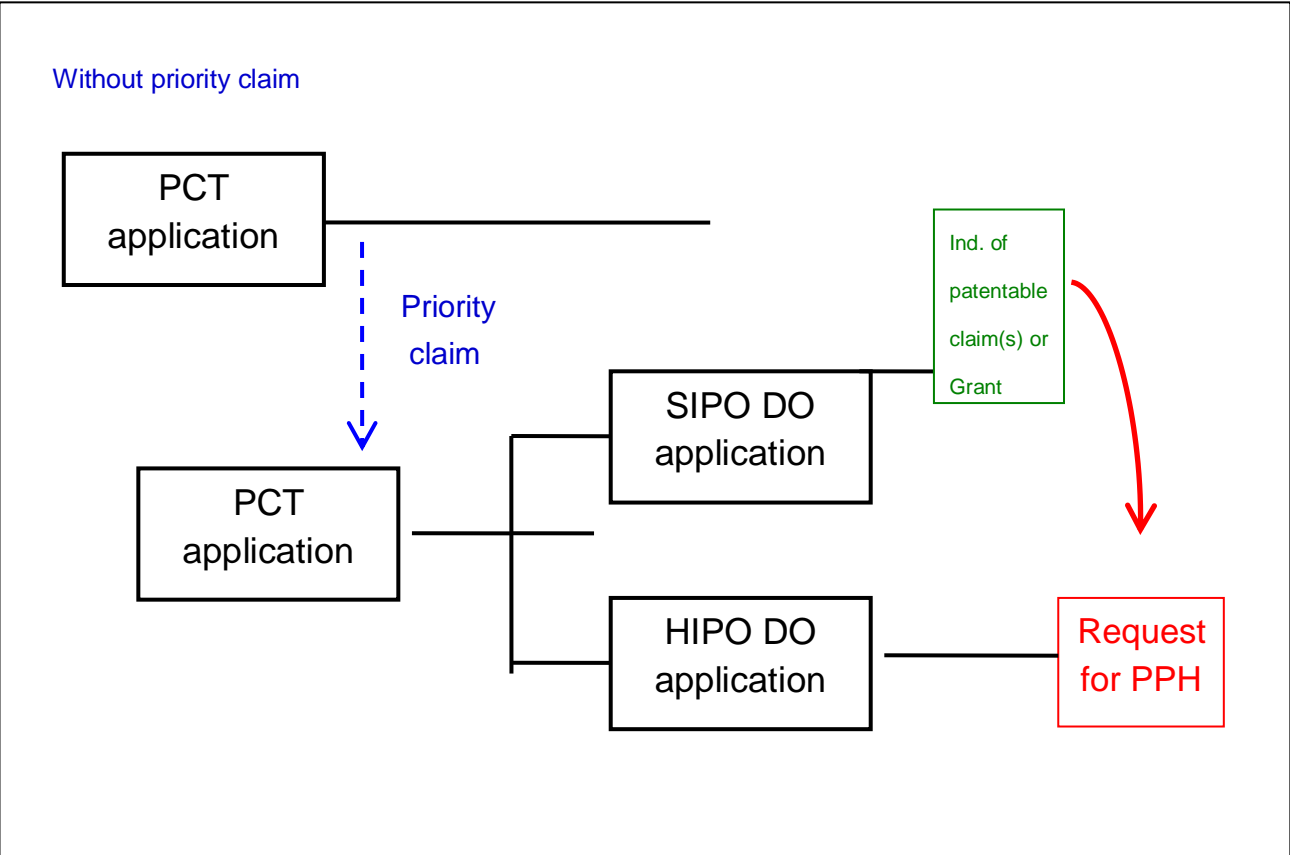
**Figure H: A case meeting requirement (a)**  
- Direct PCT Route and Paris Route



**Figure I: A case meeting requirement (a)**  
 - Direct PCT Route and Paris Route

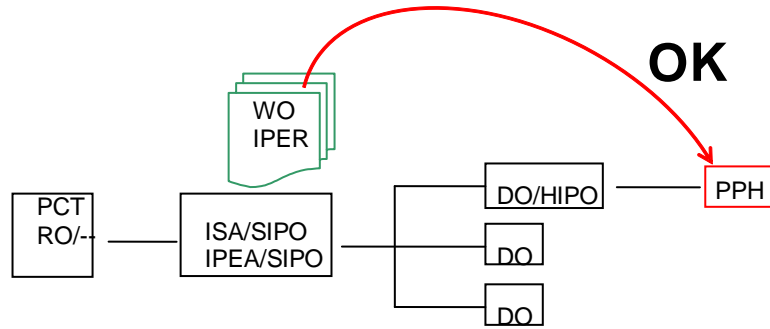


**Figure J: A case meeting requirement (a)**  
 - Paris Route and PCT Route



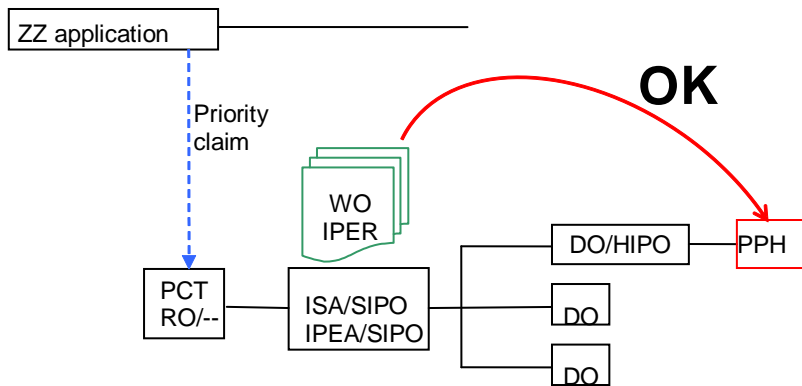
**Figure K: A case meeting requirement (b)**

**The application is a national phase application of the corresponding international application**



**Figure K': A case meeting requirement (b)**

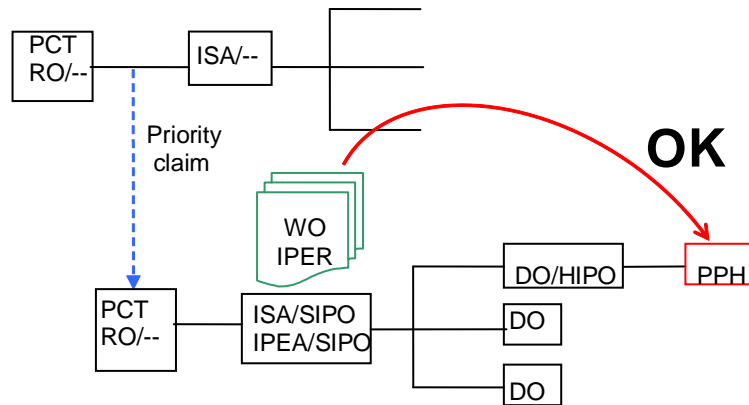
**The application is a national phase application of the corresponding international application.  
(The corresponding international application claims priority to a national application.)**



ZZ = any office

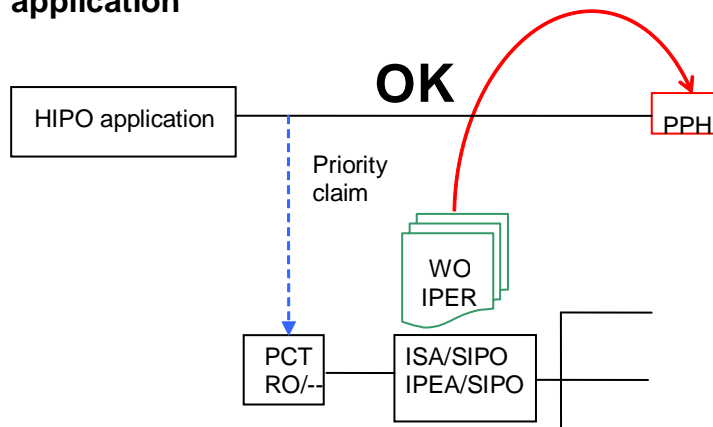
**Figure K'': A case meeting requirement (b)**

**The application is a national phase application of the corresponding international application.  
(The corresponding international application claims priority to an international application.)**



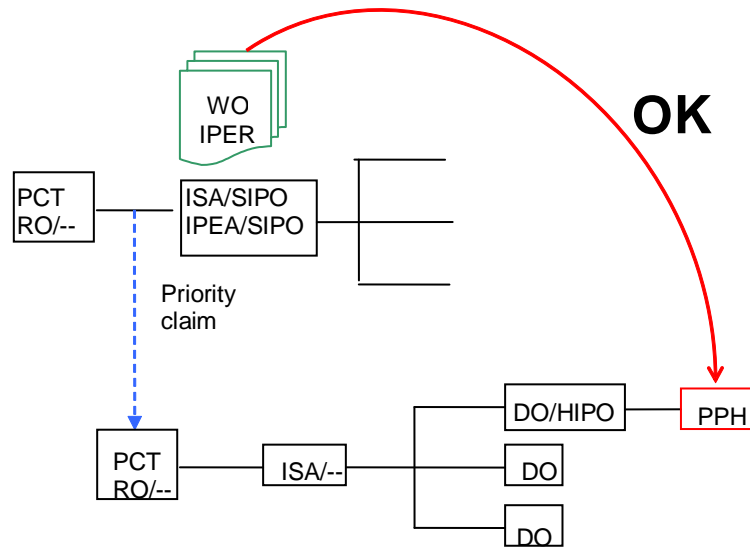
**Figure L: A case meeting requirement (b)**

**The application is a national application as a basis of the priority claim of the corresponding international application**



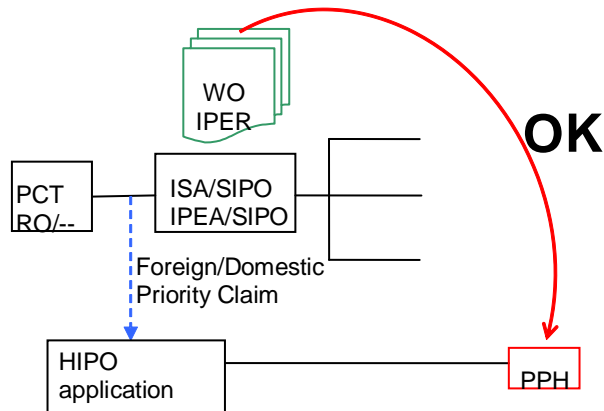
**Figure M: A case meeting requirement (b)**

**The application is a national phase application of an International application claiming priority to the corresponding international application**



**Figure N: A case meeting requirement (b)**

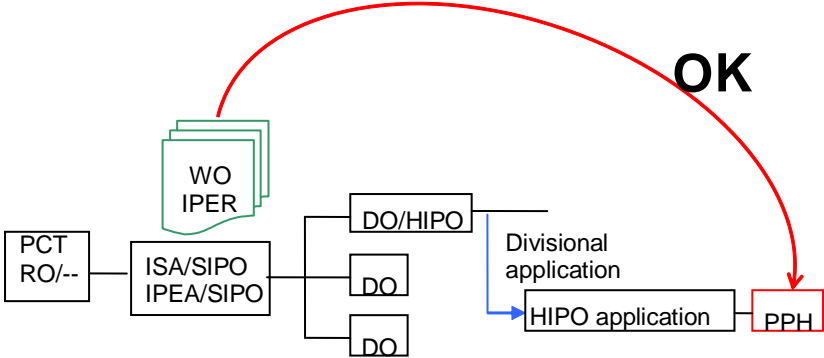
**The application is a national application claiming foreign/ domestic priority to the corresponding international application**





**Figure O1: A case meeting requirement (b)**

The application is a divisional application of an application which satisfies the requirement (A).



**Figure O2: A case meeting requirement (b)**

The application (HIPO 2) is an application claiming domestic priority to an application (HIPO1) which satisfies the requirement(B).

